

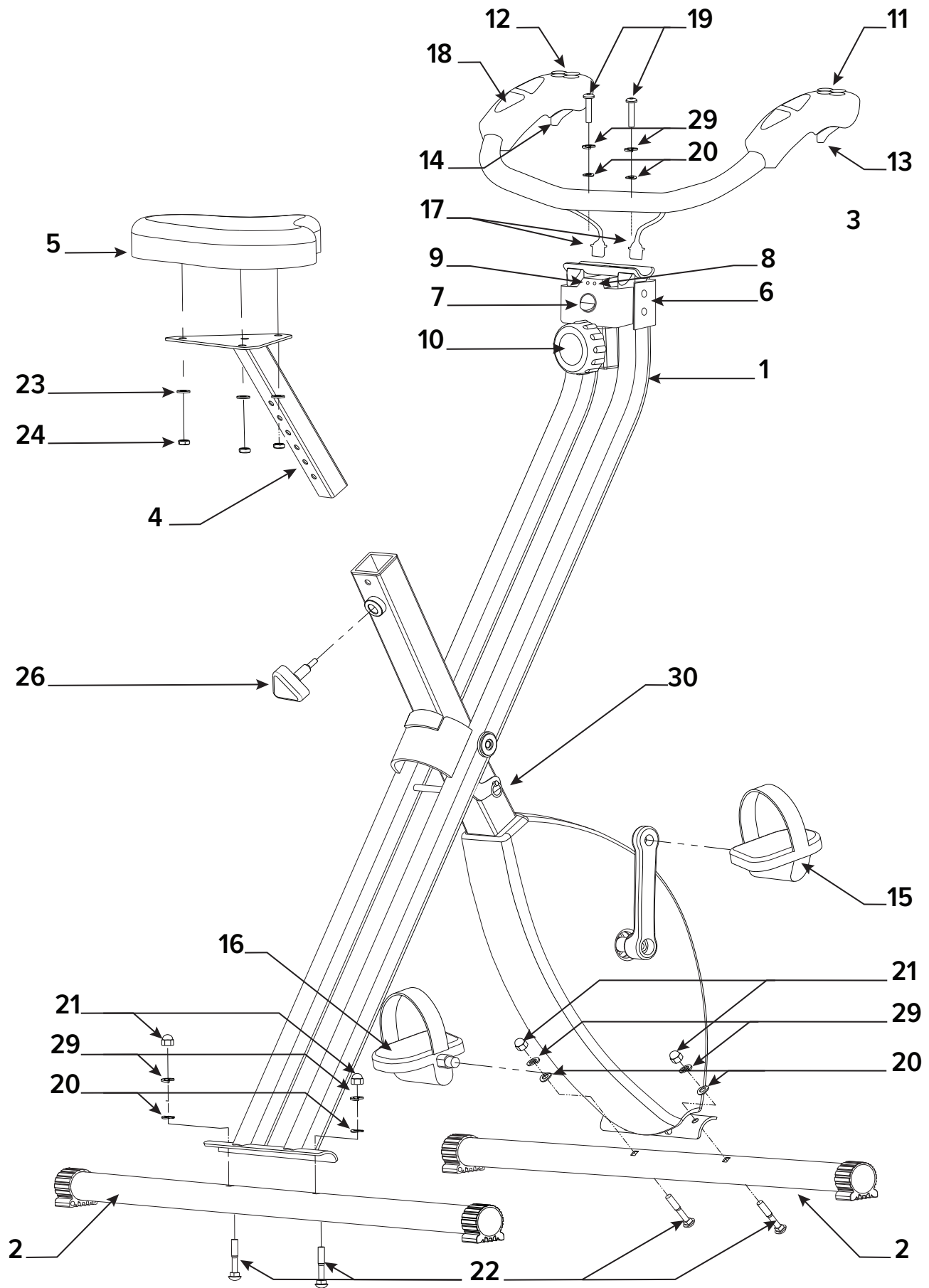
VIRZOOM™

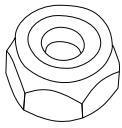


VZ-EA1
Product Manual

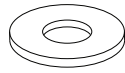
IMPORTANT SAFETY INFORMATION

1. Read this entire manual before assembling and using the VirZOOM. VirZOOM can only be used safely if it is assembled, maintained and used properly. It is your responsibility to ensure that all users of the VirZOOM are aware of all warnings and precautions.
2. Before using VirZOOM you should consult your doctor to determine if it is safe for you to engage in vigorous aerobic exercise.
3. Be aware of what your body is telling you while using VirZOOM. Stop immediately if you experience pain, tightness in your chest, irregular heartbeat, extreme shortness of breath, dizziness or nausea. If you do experience any of these symptoms, consult your doctor before using VirZOOM again.
4. Keep small children and pets away from VirZOOM. It is designed for use by adults and young adults only.
5. Use the VirZOOM on a solid, flat level surface with a protective cover for your floor or carpet. Using VirZOOM on thickly padded or plush carpet could result in hazardous instability. For safety, leave a few feet of open space all around it. Do not use or store VirZOOM in an excessively hot or cold or humid environment.
6. Before using the VirZOOM, check to make sure the nuts, bolts and pedals are securely tightened. After extended use some parts may need to be replaced. Periodically check your VirZOOM for wear and tear. If you hear any unusual noise coming from the VirZOOM, stop using it until the problem has been rectified.
7. Always use the VirZOOM as instructed. Do not stand up on the pedals or sit on the handlebars. Do not sit with your weight off the back of the seat.
8. Make sure the seat is adjusted to your height. You should be able to put the balls of your feet on the floor while seated on VirZOOM.
9. Wear suitable clothing while using VirZOOM. Avoid loose clothing which could get caught in the pedal cranks. Avoid tight clothing which restricts movement.
10. Designed for players 4'4" to 6'2" in height & up to 260lbs in weight (1.32 to 1.88 meters & up to 118KG). Use of VirZOOM by persons outside of this range is likely to result in damage to the VirZOOM and injury to the person.
11. Always get seated on VirZOOM and place your feet on the pedals before covering your eyes with your VR head-mounted display. Make sure that any cords or cables are secured where they won't interfere with your pedaling and won't get tangled in the pedals.
12. When VirZOOM is not in use it should be switched off, folded and stored in a dry place. It can be cleaned with a damp cloth. Be careful when moving VirZOOM around not to bang the handlebar grips or brain box into anything. These parts are relatively fragile.

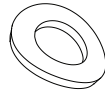




24 Nylon Lock Nut
(qty, 3)



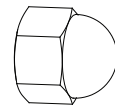
23 Flat Washer
(qty, 3)



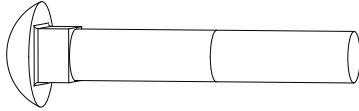
20 Arc Washer
(qty, 6)



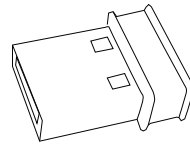
29 Split Lock Washer
(qty, 6)



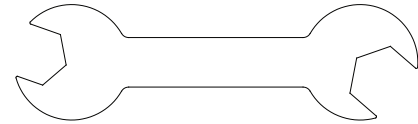
21 Domed Nut
(qty, 4)



22 Carrage Bolt
(qty, 4)



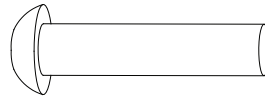
28 USB Dongle (qty, 1)
(inside battery compartment)



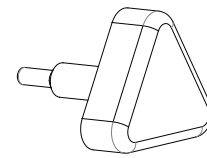
27 Flat Wrench (qty, 1)



25 Allen Wrench (qty, 1)



19 Allen Head Bolt (qty, 2)



26 Seat Height Pin (qty, 1)

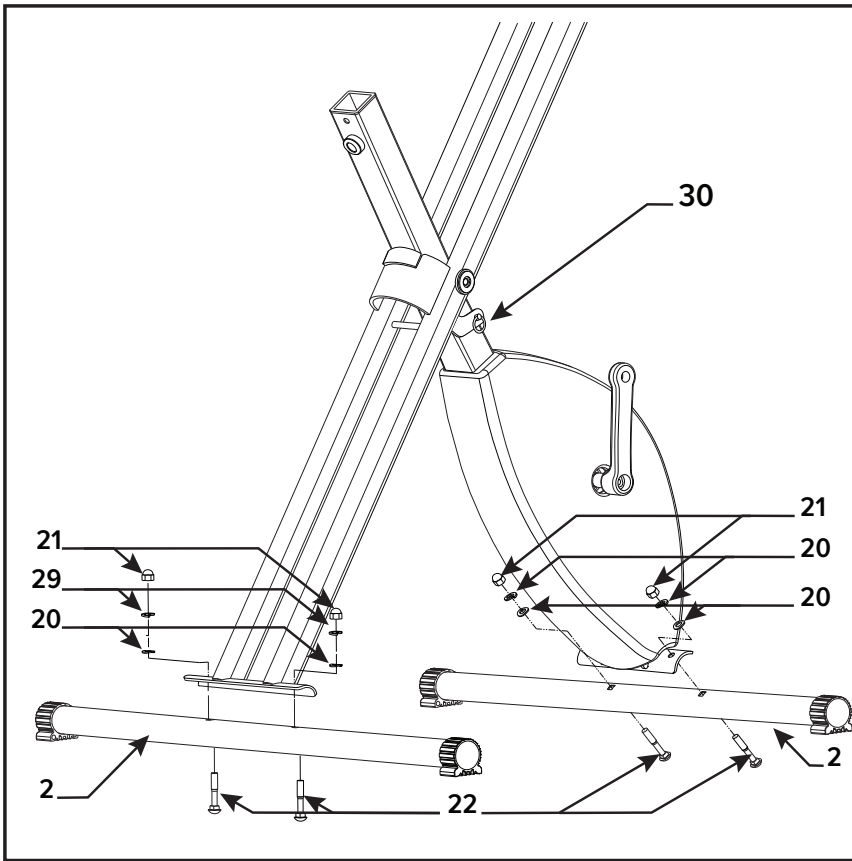
No.	Description	Qty
1	Frame	1
2	Frame Base	2
3	Handlebar	1
4	Seat Post	1
5	Seat	1
6	Brain Box	1
7	ON/OFF Switch	1
8	Connection Status LED	1
9	Battery Status LED	1
10	Resistance Knob	1
11	ABXY Buttons	1
12	Directional Buttons	1
13	Right Trigger	1
14	Left Trigger	1
15	Pedal Right	1

No.	Description	Qty
16	Pedal Left	1
17	Button Connector	2
18	Heart-rate Sensor	2
19	Allen Head Bolt	2
20	Arc Washer	6
21	Domed Nut	4
22	Carrage Bolt	4
23	Flat Washer	3
24	Nylon Lock Nut	3
25	Allen Wrench	1
26	Seat Height Pin	1
27	Flat Wrench	1
28	USB Dongle	1
29	Split Lock Washer	1
30	Frame Locking Pin	1

STEP 1

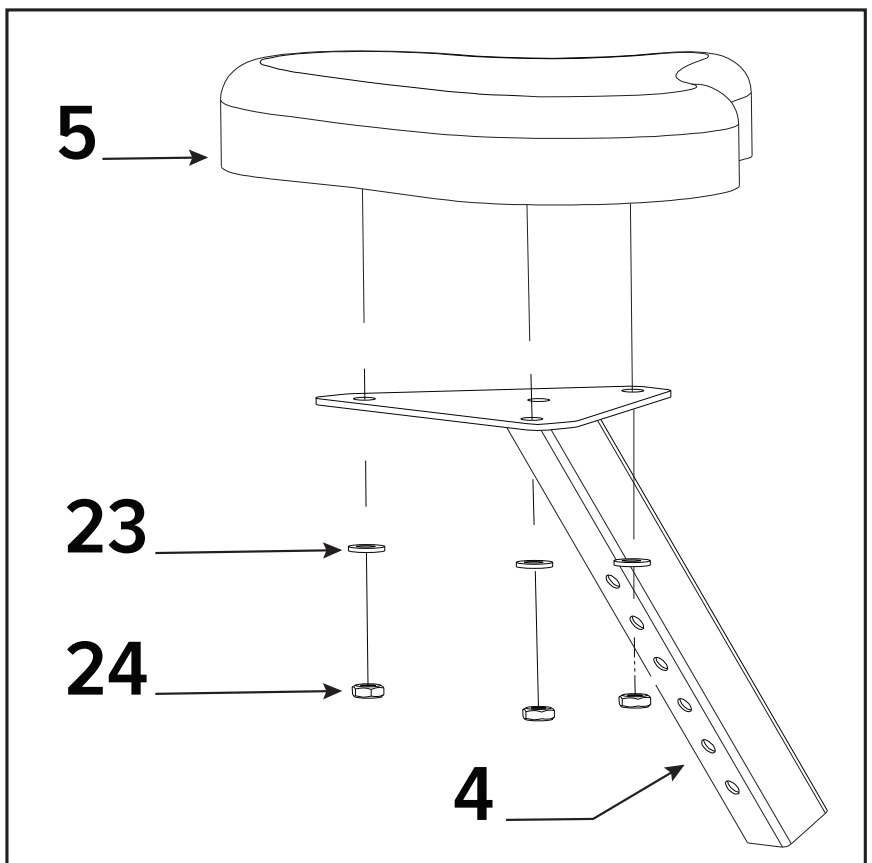
Open the frame fully and insert the frame locking pin (30)

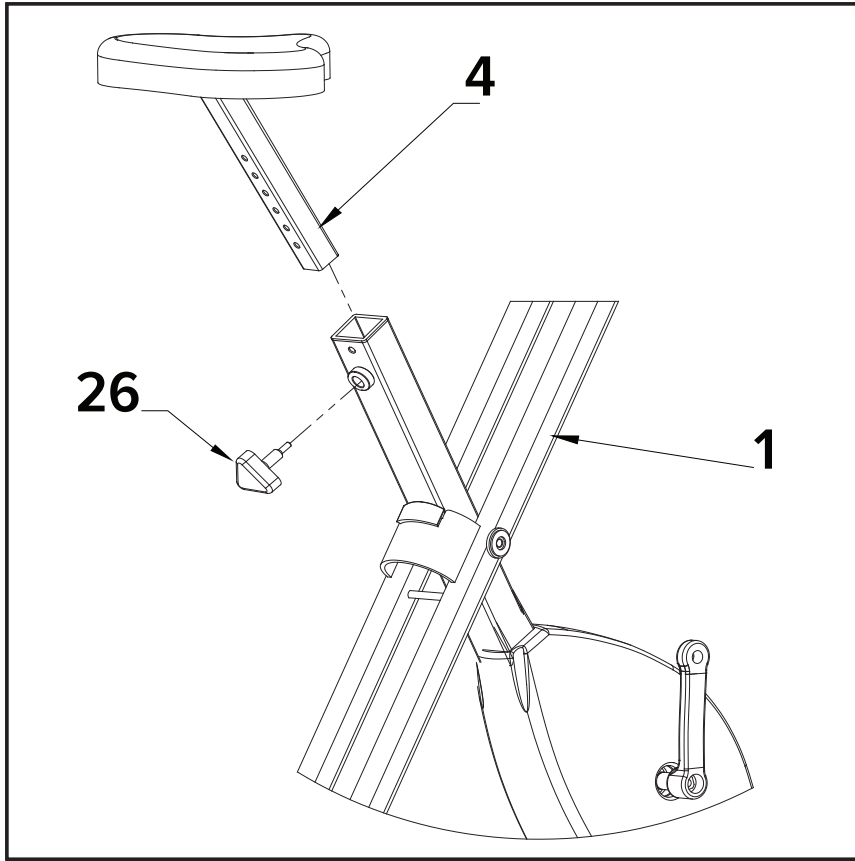
Attach the two frame bases(2) to the main frame(1) using four sets of domed nuts(21), split lock washers (29), arc washers(20), and carriage bolts(22). Tighten them with the flat wrench(27).



STEP 2

Align the seat(5) with the seat post(4) as shown. Fasten them together with three sets of flat washers(23) and nyloc nuts(24). Tighten them with the flat wrench(27).





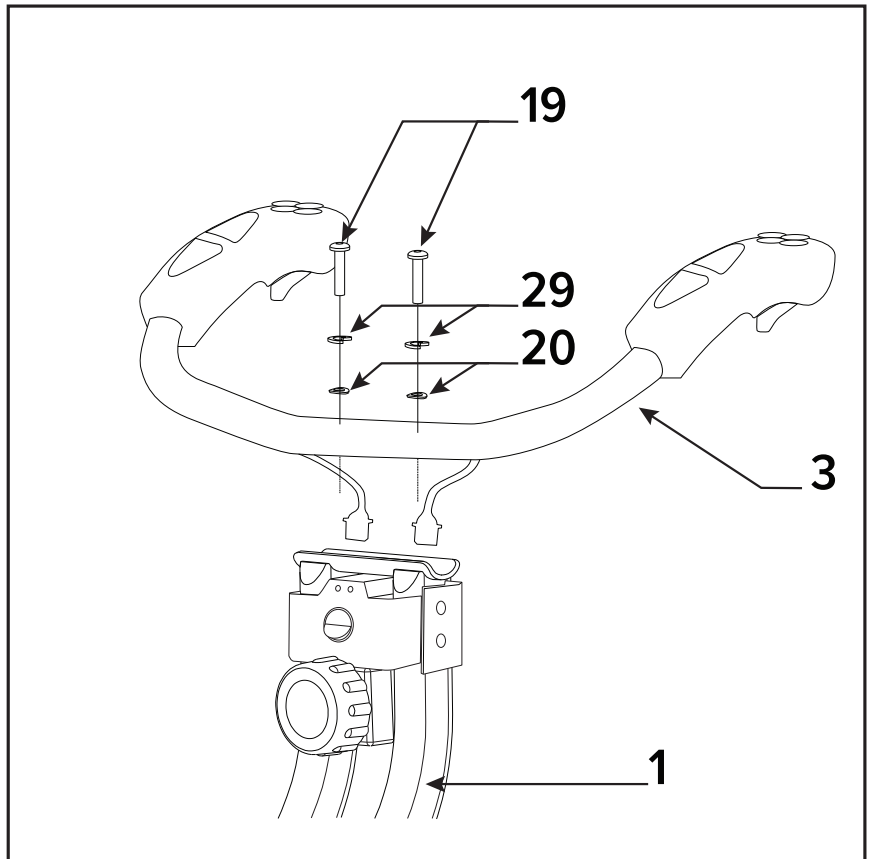
STEP 3

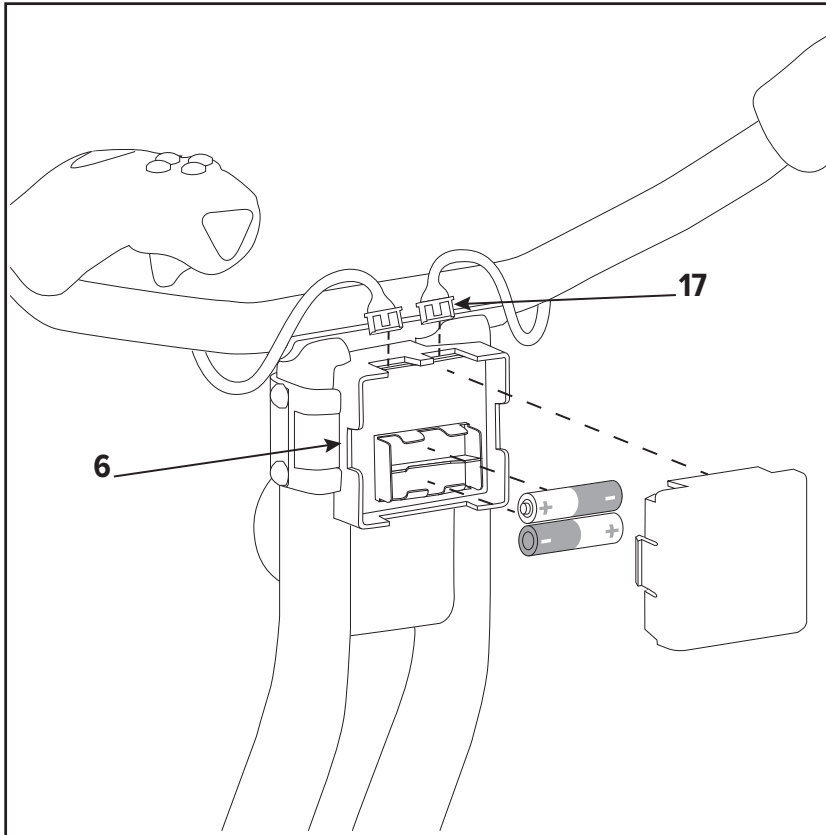
Insert the seat post(4) into the frame(1) and line up the holes. Secure the seat in position with the seat height pin(26). Tighten the pin fully by turning it clock-wise.

IF THE RED WARNING LABEL IS VISIBLE THEN THE SEAT IS SET TOO HIGH. NEVER ATTEMPT TO USE YOUR VIRZOOM WHEN THE RED WARNING LABEL IS VISIBLE.

STEP 4

Attach the handlebars(3) to the frame(1) using two arc washers(20), two split lock washers(29) and two allen bolts(19). Tighten using the allen wrench(25).





STEP 5

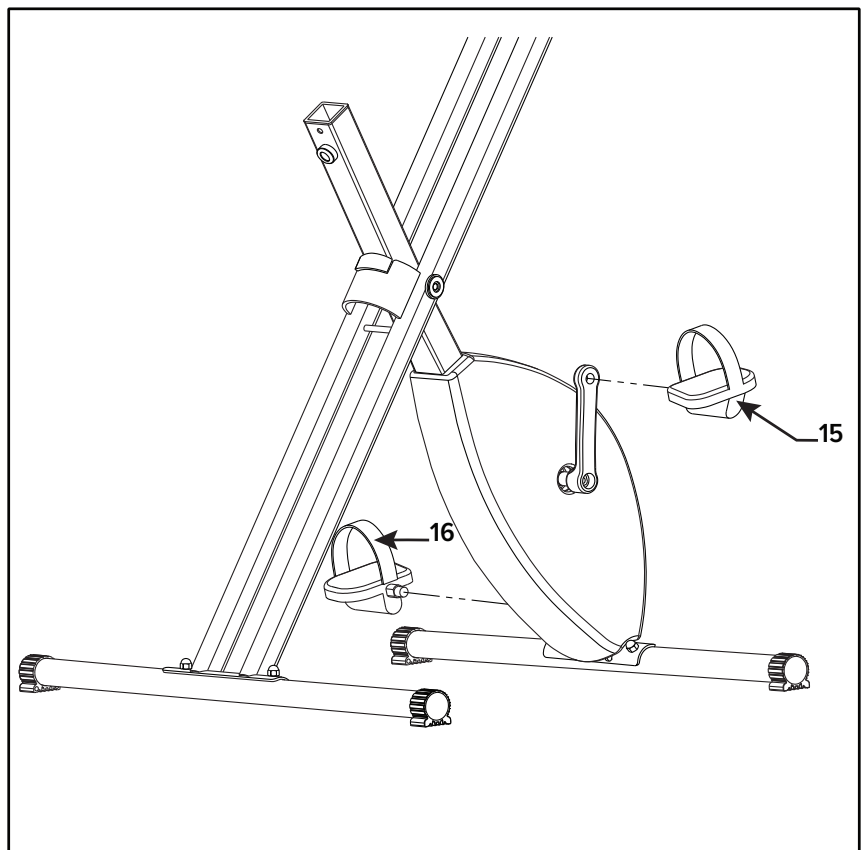
Plug the button connectors(17) into the brain box(6) as shown. Open the battery compartment on the brain box(6) by pressing in on the sides until the tabs slide easily out. Install 2 AA batteries as shown (batteries not included). Replace the battery cover.

STEP 6

The pedals(15 & 16) are marked “L” and “R” - Left and Right. Connect them to their corresponding crank arms. Note that the right pedal will be threaded on clockwise, but the left pedal will be threaded on counter-clockwise. This is so that the pedals will not loosen themselves as you pedal.

If desired attach the pedal straps to the pedals using the tabs on the sides on the pedals.

Hardware Assembly is complete! If you haven't yet read the important safety information on page 1, this would be a good time to do so.



Getting Started with **VIRZOOM™**

SET UP YOUR SYSTEM:

Set up your VirZOOM near your PC or PlayStation 4, away from direct sunlight, with a few feet of elbow room on either side of it.

Ensure that your Virtual Reality System can easily reach your VirZOOM. Spend a few minutes taping down, or otherwise securing your VR Head Mounted Display (HMD) cables so that they will not be tripped over, or get tangled in the VirZOOM pedals.

Ensure that your position-tracking devices are able to “see” your VR HMD when seated on the VirZOOM.

Plug the VirZOOM USB dongle into your PC or PlayStation 4. The USB dongle provided does not contain the VirZOOM software; it provides a secure bluetooth pairing with your VirZOOM.

GET THE SOFTWARE:

Oculus Rift users, go to www.virzoom.com/register to create an account and download the latest software.

HTC Vive users, the VirZOOM software is available on Steam. You will also need to go to www.virzoom.com/register and create an account in order to unlock all the features you are entitled to.

Playstation VR users, the VirZOOM software is available in the PlayStation Store. You will also need to go to www.virzoom.com/register and create an account in order to unlock all the features you are entitled to.

START PLAYING:

Launch the VirZOOM application on your system. Flip the power switch(7) to On (shows “I”). The green LED(8) will flash to confirm.

Get on your VirZOOM, and put your feet on the pedals. Holding either trigger should “wake up” the VirZOOM, and connect it to your system. This may take several seconds. Success is indicated by the green LED(8) being lit steadily.

The Red LED(9) indicates low batteries.

In order for the heartrate sensors(18) to work properly, each hand needs to be contacting both sensors on the grips.

Pedal and adjust the resistance knob(10) to a level that seems good to you. Put your VR HMD on and follow the in-game prompts.

GET HELP:

Check the Forums: <https://www.virzoom.com/forums/>

Submit a support ticket by emailing support@virzoom.com. Be aware that this email address goes to a real person, who works normal business hours in the Eastern Time Zone (GMT -5).

The VirZOOM team thanks you for your purchase! As early-access customers we encourage you to go to www.virzoom.com/forums/ and join in the conversation. Tell us what you like, what you don't like, and help us shape the future of VirZOOM!

